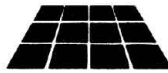
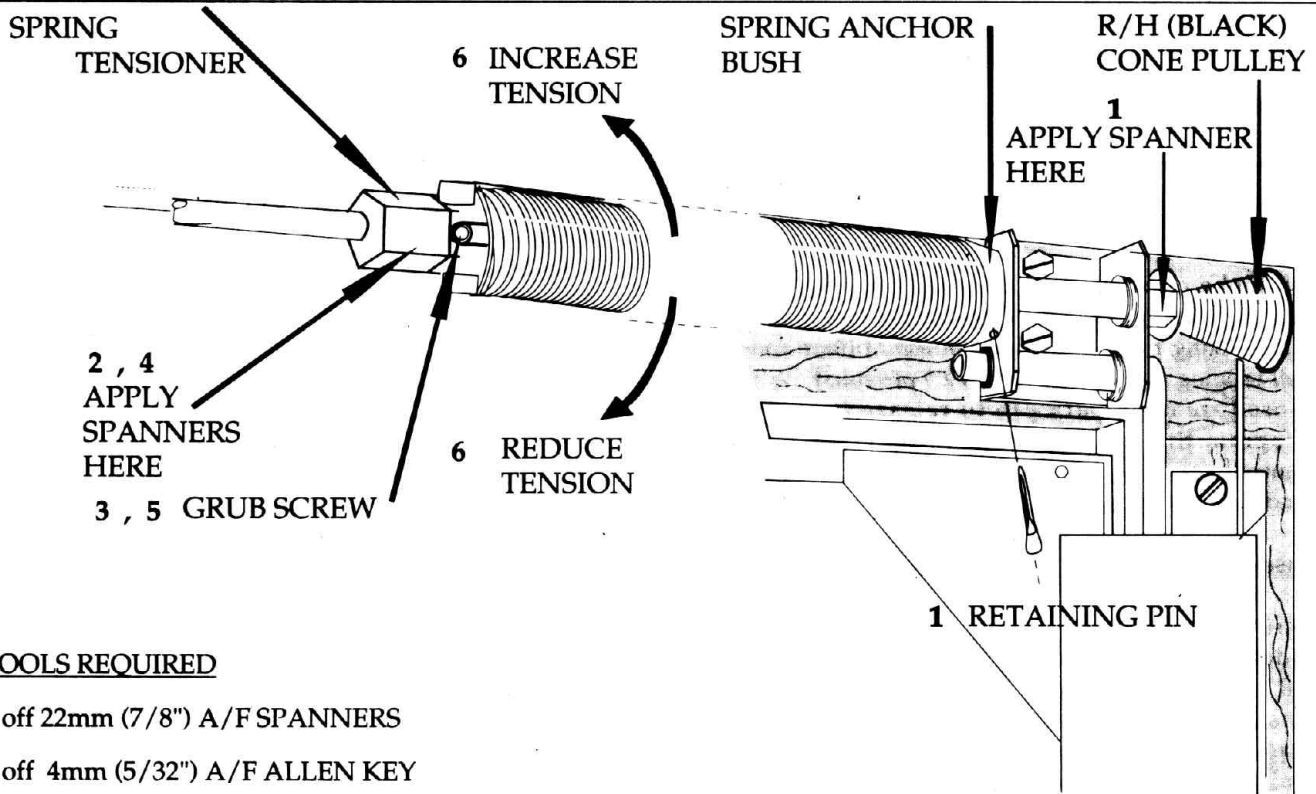


**CARDALE CD45 TRACKLESS SPRING
ADJUSTMENT INSTRUCTIONS**



**CARDALE
GARAGE DOORS**

IMPORTANT - THESE INSTRUCTIONS MUST BE RETAINED BY THE HOUSEHOLDER



TOOLS REQUIRED

2 off 22mm (7/8") A/F SPANNERS

1 off 4mm (5/32") A/F ALLEN KEY

1 off RETAININGPIN (4mmDIA X 50MM OR SIMILAR)

THESE INSTRUCTIONS MUST BE FOLLOWED CAREFULLY

NOTE: Before proceeding, oil the spring, all pivot points and apply grease within the side runners. This may prevent the need for re-tensioning.

WARNING THE SPRING IS UNDER TENSION - FOLLOW INSTRUCTIONS CAREFULLY TO AVOID PERSONAL INJURY.

IF IN DOUBT CONSULT A QUALIFIED TRADESMAN/INSTALLER

1. Grip R/H (Black) cone pulley with spanner and, by turning upwards, align holes in spring anchor bush and spring shaft. Insert Retaining Pin fully into this hole as shown. THEN REMOVE SPANNER.
2. Hold spring tensioner firmly with spanner.
3. Slacken off ONE grub screw only with Allen Key. IT IS IMPORTANT THAT AT LEAST ONE SPANNER IS ENGAGED ON THE TENSIONER AND HELD FIRMLY AT ALL TIMES WHILST EITHER ONE OR BOTH OF THE GRUB SCREWS HAVE BEEN SLACKENED OFF. FAILURE TO DO SO MAY CAUSE IRREPARABLE LOSS OF ALL SPRING TENSION, REQUIRING THE ENTIRE UNIT TO BE REPLACED.
4. Using second spanner, turn spring tensioner upward bringing second grub screw to the front.
5. Slacken off second grub screw.
6. Increase/reduce spring tension using both spanners (See Diagram for movement directions).
7. Re-tighten both grub screws but do not overtighten.
8. Remove retaining pin, by reversal of instruction Number 1.
9. Test door action. Should further adjustment be necessary repeat 1 - 9.

IN THE EVENT OF DIFFICULTY PLEASE CONSULT YOUR LOCAL SUPPLIER OF CARDALE
DOORS - SEE YELLOW PAGES - OR REFER TO YOUR INSTALLER.